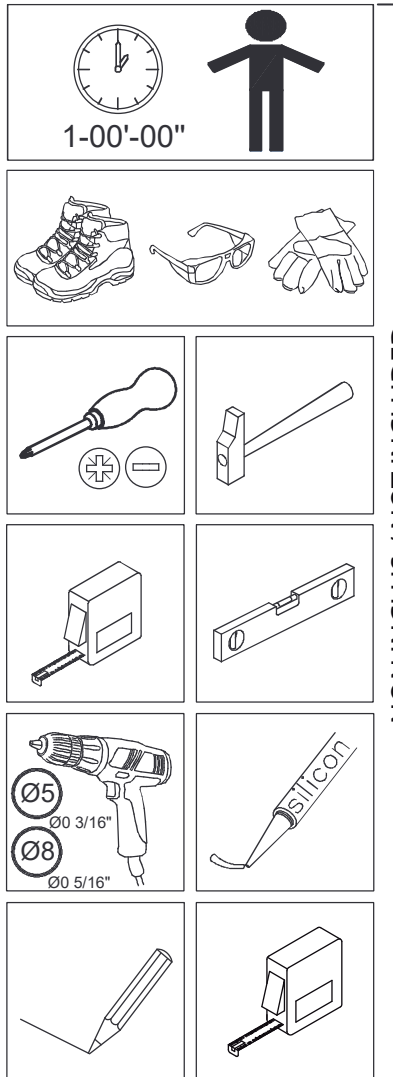
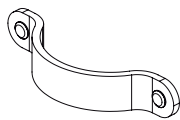
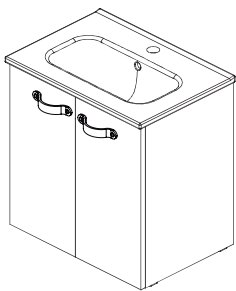
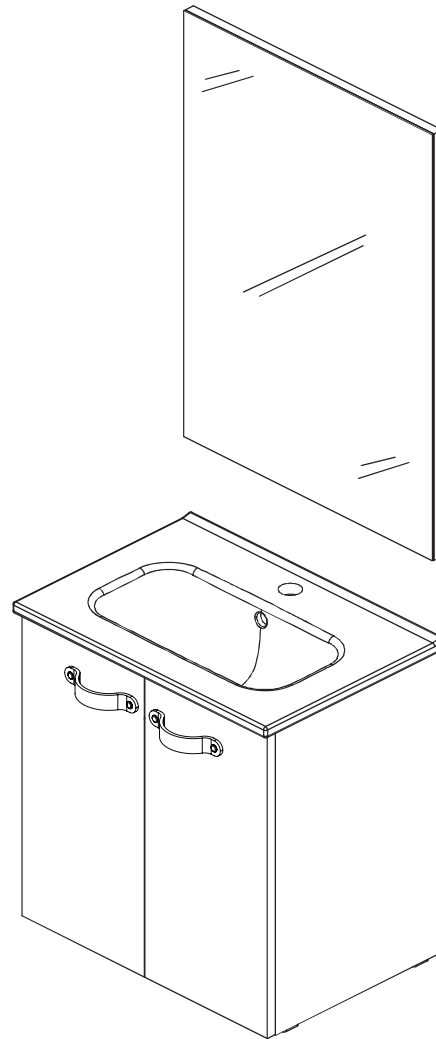


Aneko

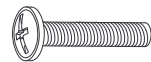
AMIZUVA



NON INCLUS / NOT INCLUDED



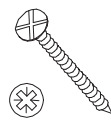
x2



x4



Ø8 x4
Ø0 5/16" x4



x4

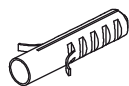
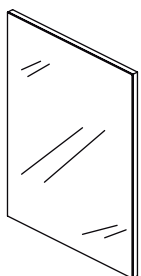
4,5 x 40
0 3/16" x 1 9/16"



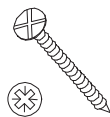
x2



x4

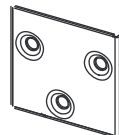


Ø8 x4
Ø0 5/16" x4



x4

4,5 x 40
0 3/16" x 1 9/16"



x2



x2



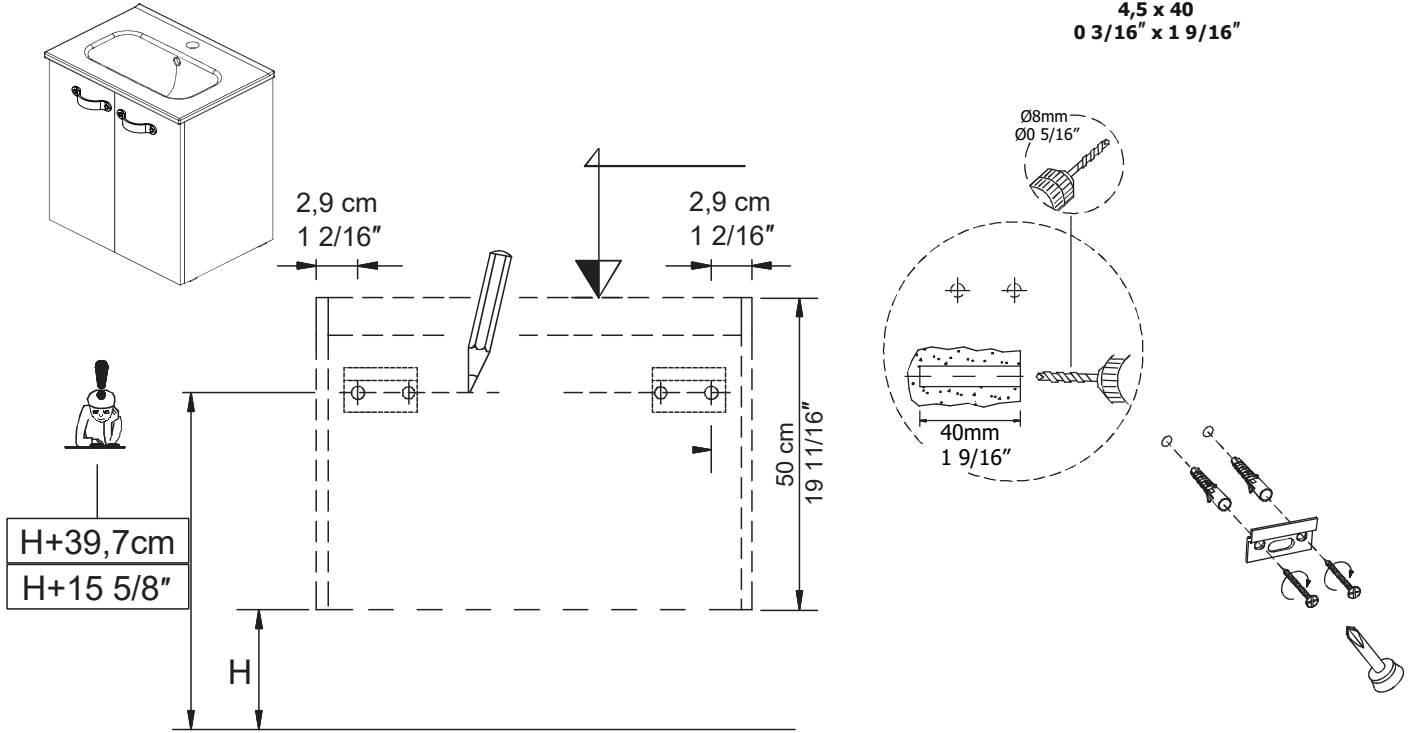
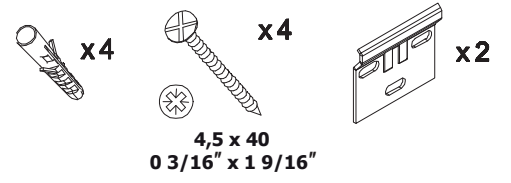
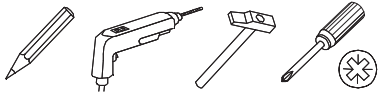
3,5 x 15

x4

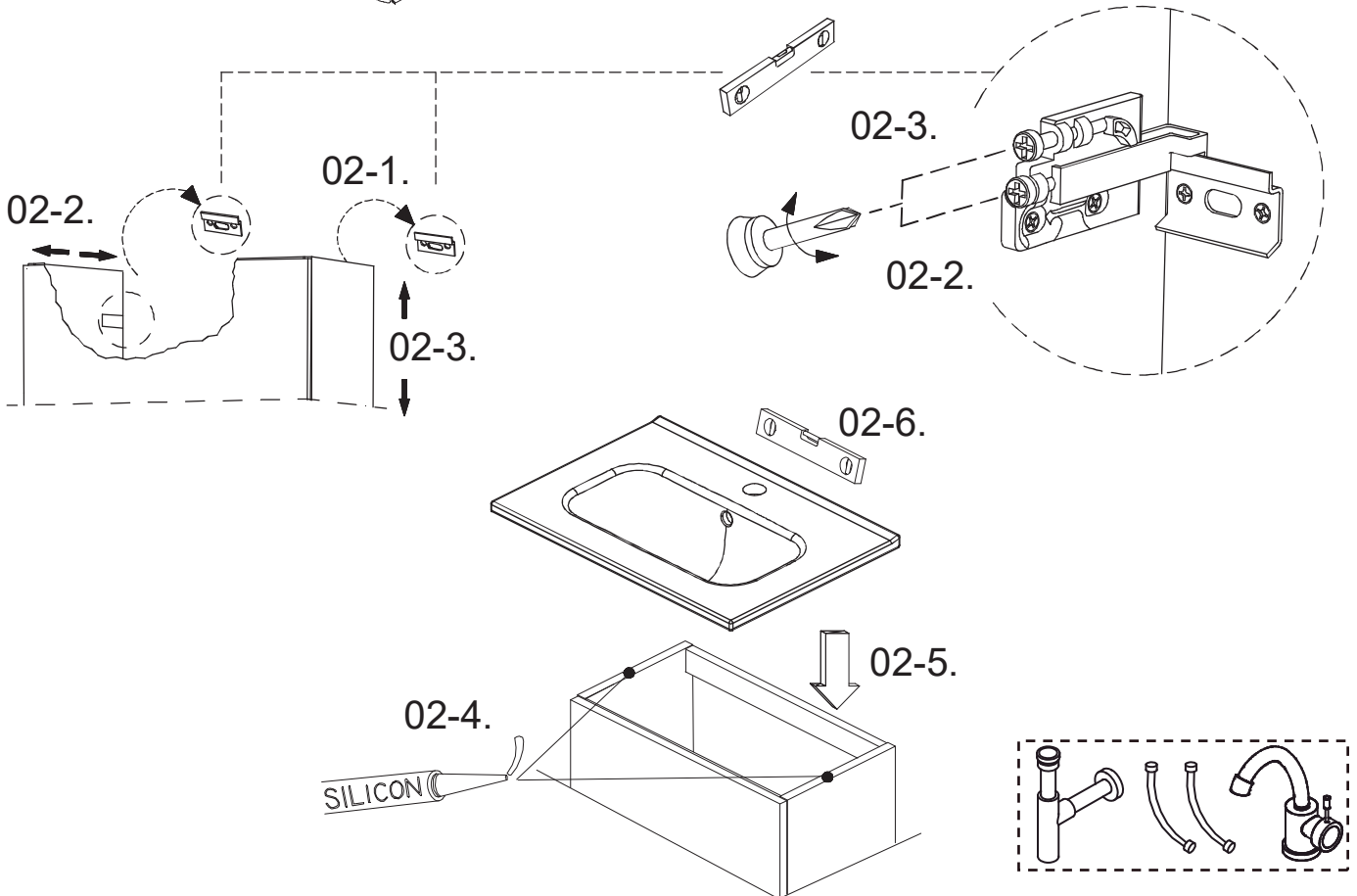
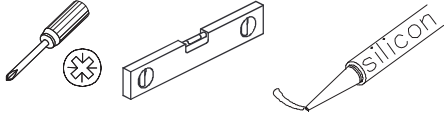


x1

01.



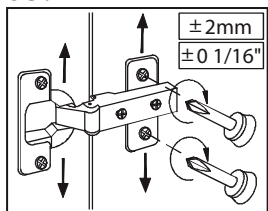
02.



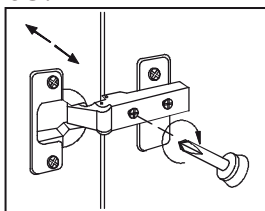
03.



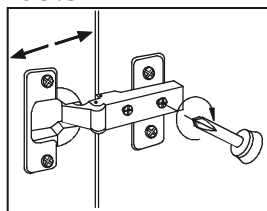
03.1



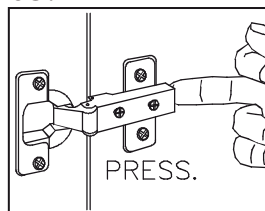
03.2



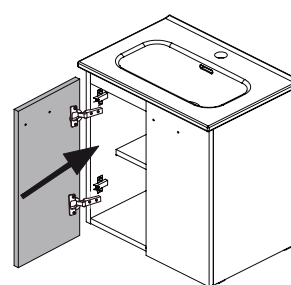
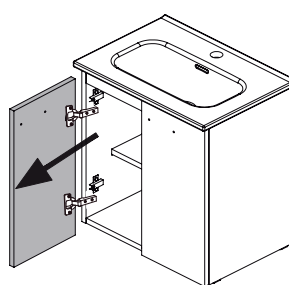
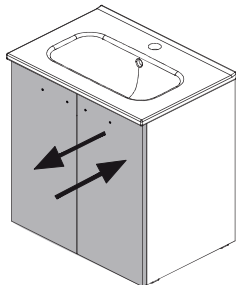
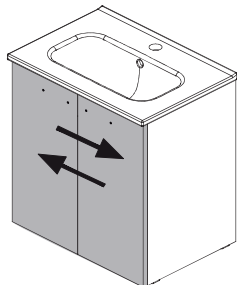
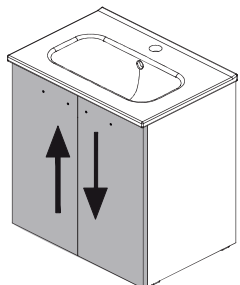
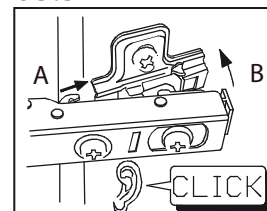
03.3



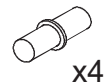
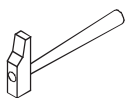
03.4



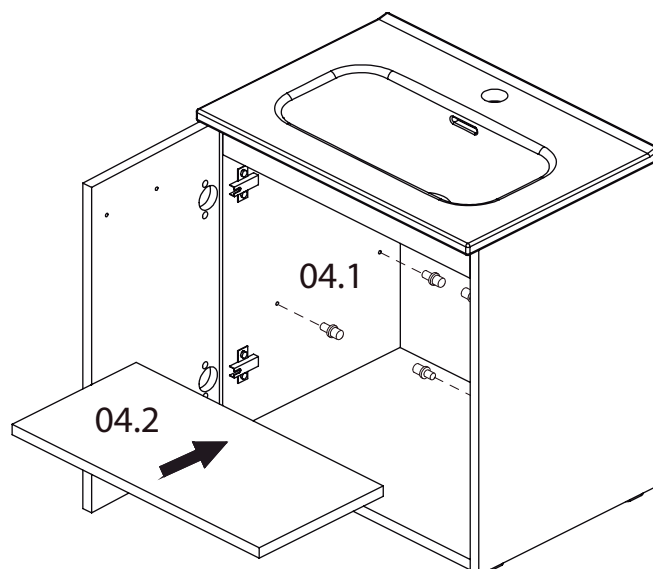
03.5



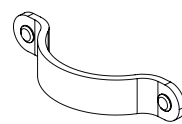
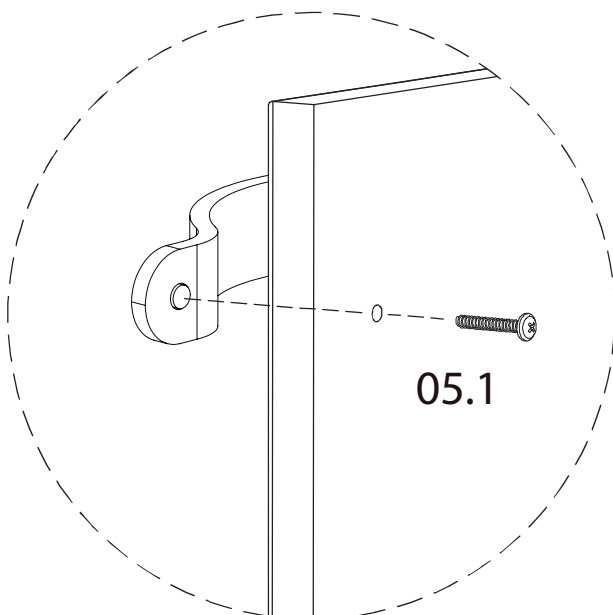
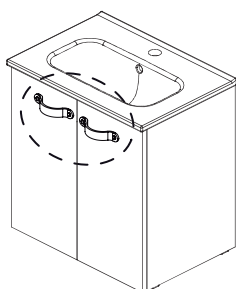
04.



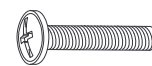
x4



05.

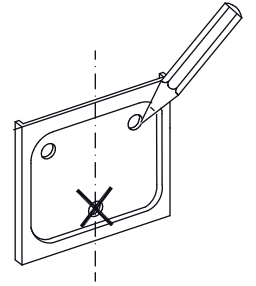
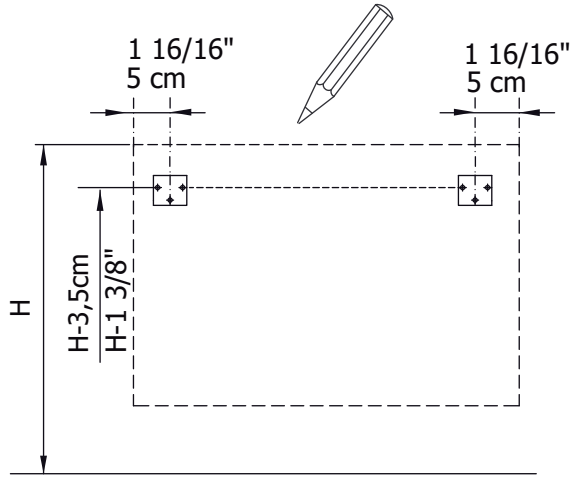
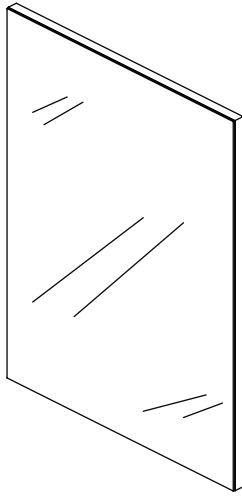
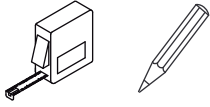


x2

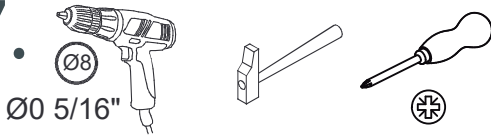


x4

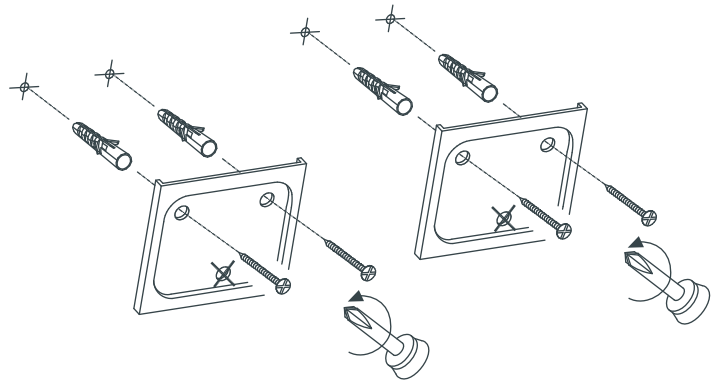
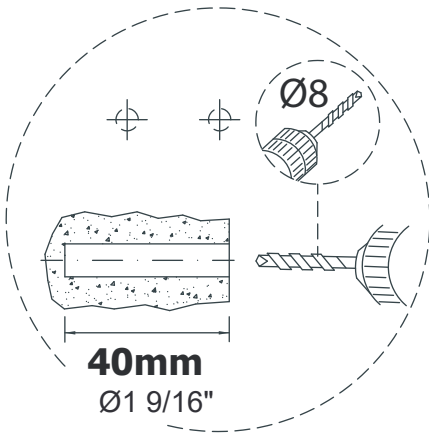
06.



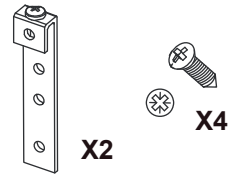
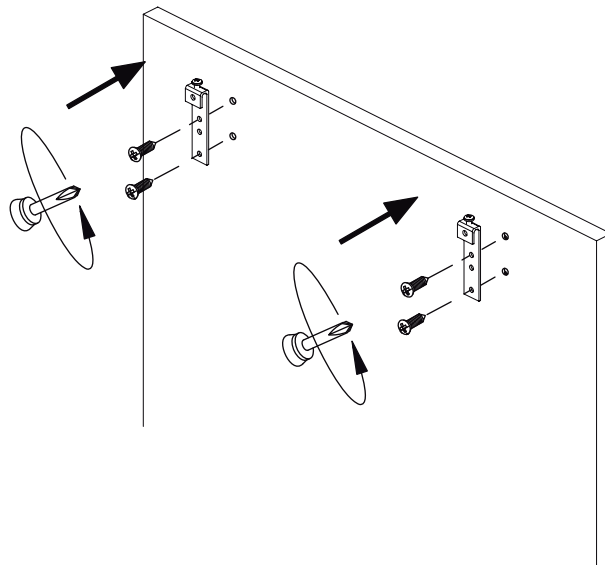
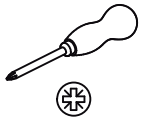
07.



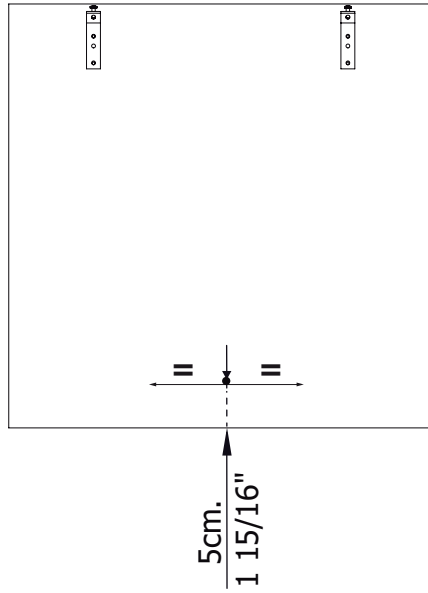
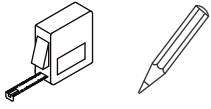
Ø8
Ø0 5/16"



08.

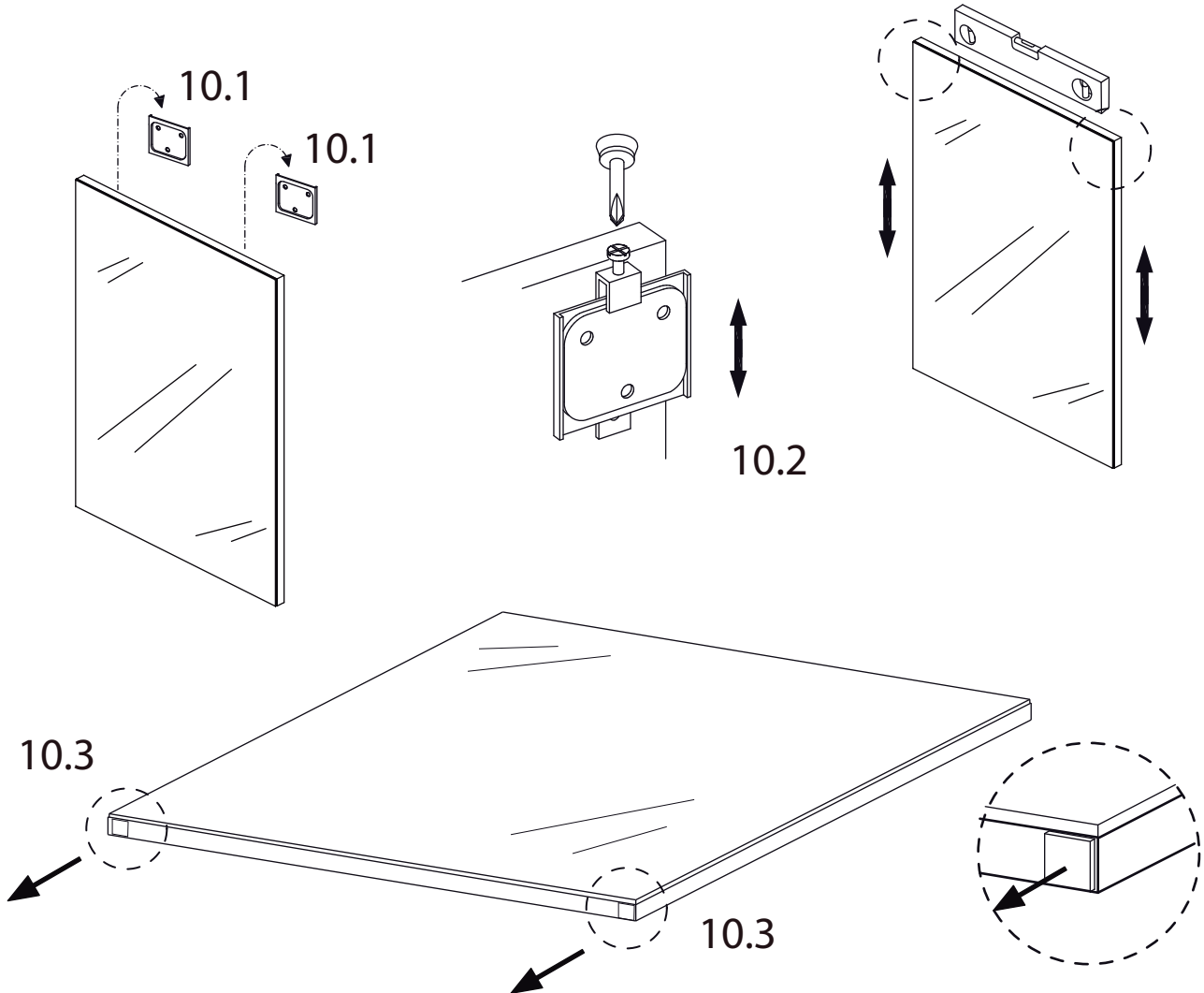
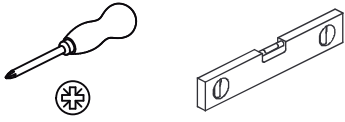


09.



x1

10.



Colocación del sifón:

